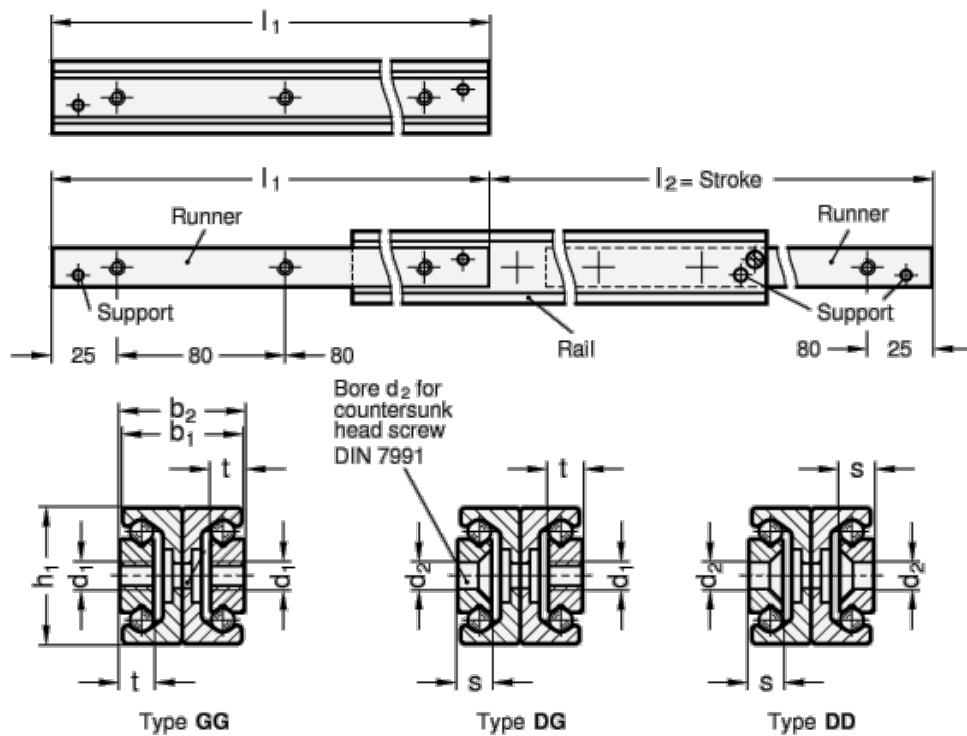


Article number: 20240843930GG

Description: E+G Telescope-Lear motion bearings GN 2408-43-930-GG

Measures



$b_1 = 42$
 $b_2 = 44$
 $d_1 = M8$
 $d_2 =$
 $h_1 = 43$
 $L_1 = 930 - 966$
 $s =$
 $t = 13.5$

Weight in (g) = 9770